

FirstBuild

INSTALLATION INSTRUCTIONS

USE & CARE MANUAL

Designer Hood Duct Cover
1B-DC2-BR01/1B-DC2-SS01/1B-DC2-TT01

This product is compatible with the following Vent Hoods:

ZVC48DNB1, ZVC48RSS, ZVC48DTB1,
ZVC48STSS, ZVC53DWB1, ZVC53DWTT

R3
1B-DC2-BR01
1B-DC2-SS01
1B-DC2-TT01

FirstBuild.com

Safety Information

Before you begin

Read these instructions completely and carefully.

- **IMPORTANT** - Save these instructions for local inspector's use.
- **Important** - Observe all governing codes and ordinances.
- **Note to Installer** - Be sure to leave these instructions with the Consumer.
- **Note to Consumer** - Keep these instructions for future reference.
- **Skill level** - Installation of this vent hood duct cover requires basic mechanical skills.
- Proper installation of this vent hood duct cover is the responsibility of the installer. Product failure due to improper installation is not covered under the warranty. See Warranty section for more information.

⚠ CAUTION

Due to the weight and size of these vent hood covers and to reduce the risk of personal injury or damage to the product, **TWO PEOPLE ARE REQUIRED FOR INSTALLATION OF THIS PRODUCT.**

⚠ CAUTION

TO REDUCE THE RISK OF FIRE, ELECTRICAL SHOCK OR INJURY TO PERSONS, OBSERVE THE FOLLOWING:

- Installation work must be done by qualified person(s) in accordance with all applicable standards, including fire-rated construction.
- When cutting or drilling into walls or ceilings, do not damage electrical wiring or other hidden utilities.

⚠ CAUTION

TO REDUCE THE RISK OF FIRE, ONLY USE METAL DUCTWORK BEHIND THIS DUCT COVER.

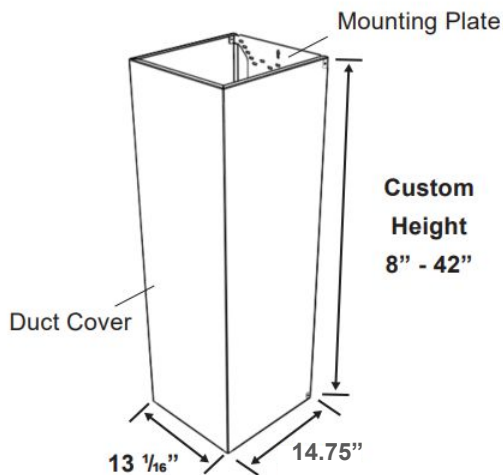
Installation Instructions

Contents

Safety Information.....2
 Product Dimensions.....3
 Additional Parts Provided.....3
 Tools & Materials Required3
 Drawing the Centerline.....4
 Installation Clearances.....4
 Advanced Planning4
 Unboxing.....4

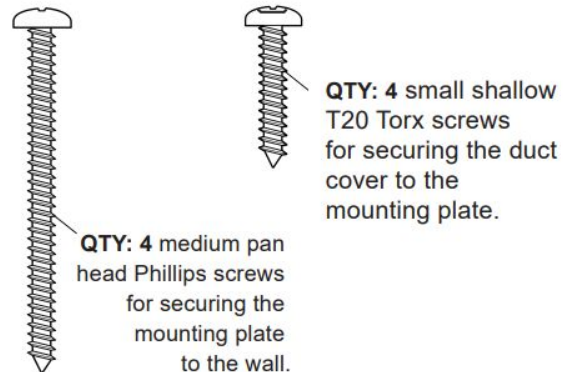
Locating the Mounting Plate.....5
 Fastening the Mounting Plate.....6
 Fastening the Duct Cover.....6
 Cleaning Your Duct Cover.....6
 Limited Warranty.....7

Product Dimensions



Additional Parts Provided

These parts are included with the duct cover. Some fasteners may come assembled on product.



Tools & Materials Required

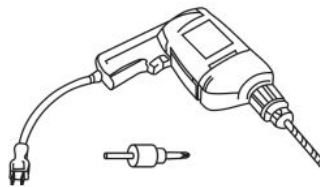
(Not supplied)



Safety Glasses



T20 Torx screwdriver



Electric or battery operated drill with Phillips driver



Step ladder



Safety Gloves



Tape Measure



Pencil

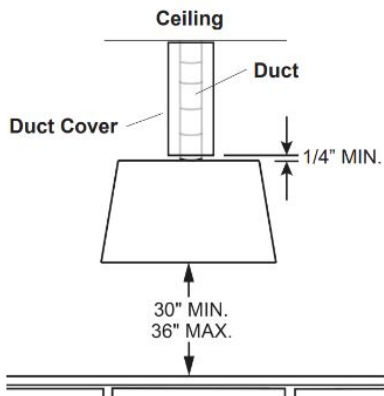


Level

Installation Instructions

Installation Clearances

This vent hood duct cover should only be installed above compatible Monogram Designer Vent Hood. The duct cover shall be spaced off of the top of the vent hood by a minimum of 1/4" to avoid the transfer of vibrations that may cause unwanted noises.



NOTE: Clearances may vary due to type of cooking product and local codes. Check with local inspectors to be sure standard is applicable.

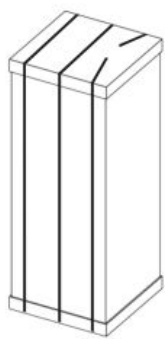
Advanced Planning

Wall Framing for Adequate Support

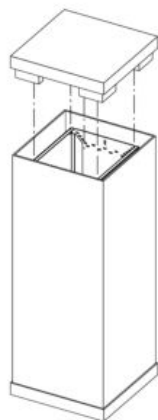
Adequate structural support must be provided to properly attach the mounting plate to the wall. Fastening into studs is encouraged. If studs are not available near the installation location, use appropriate drywall anchors (not included) to ensure that the mounting plate is properly fastened into the wall.

Unboxing

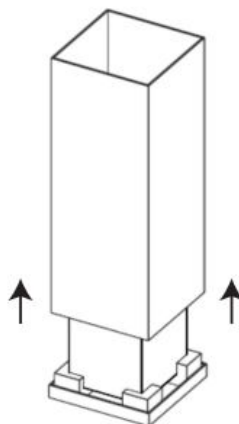
Make sure to wear safety glasses and safety gloves before unboxing or using tools.



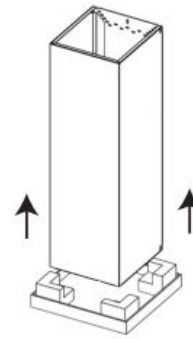
Remove strapping



Remove top cap



Remove sleeve

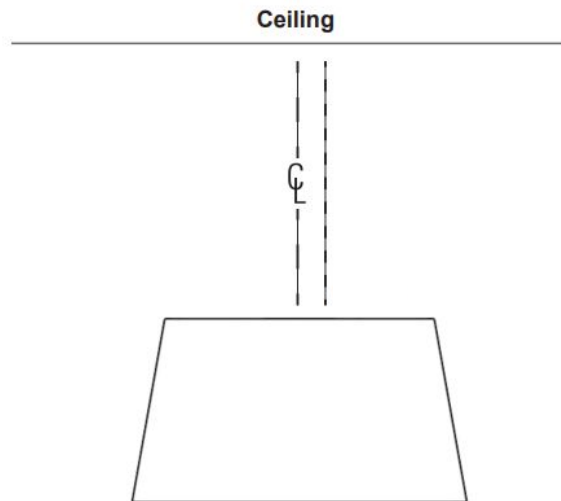


Lift product

Installation Instructions

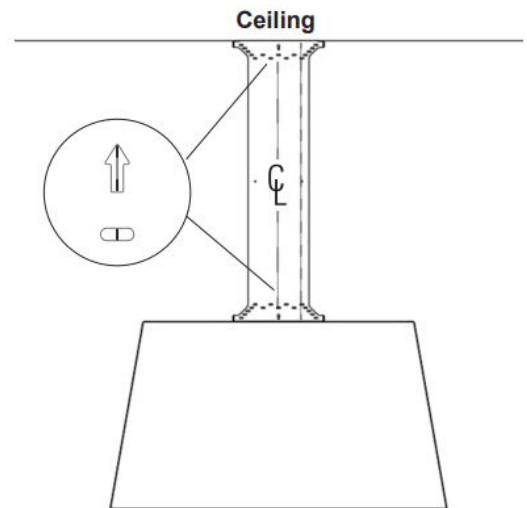
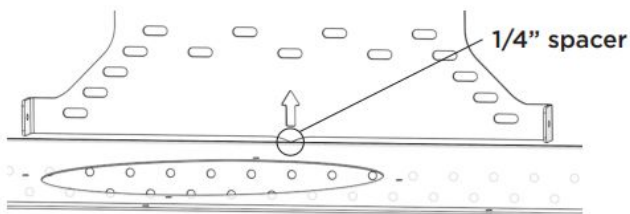
Step 1: Determine centerline location

- Use a level to draw a vertical centerline. Draw the line from the top of the vent hood to the ceiling.
- Mark the location of any studs located within 6" of the centerline.
- The vent hood should be installed in the desired final location before proceeding to the next step.



Step 2: Locate the mounting plate

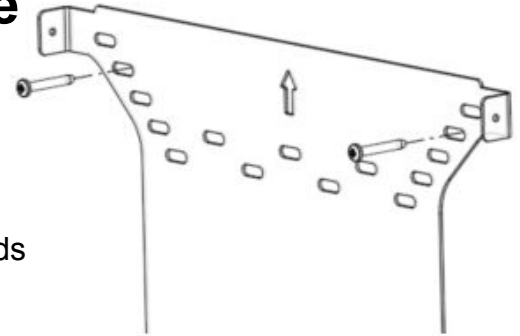
- Place the mounting plate against the wall. Align the tips of the arrows on top and bottom of the mounting plate with the centerline.
- Confirm that the built-in 1/4" spacer on the bottom of the mounting plate is at the top of the vent hood. Push up the mounting plate against the ceiling.



Installation Instructions

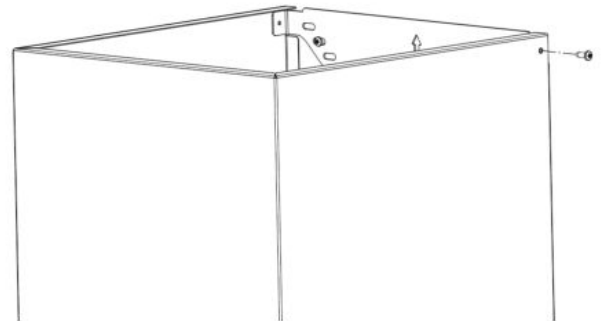
Step 3: Fasten the mounting plate

- Use the included fasteners to attach the mounting plate to the wall. Drive four (4) medium pan head screws into studs where available, using an electric drill. Pre-drill where necessary.
- Use appropriate drywall anchoring hardware where studs are not available.



Step 4: Fasten the duct cover

- Place the duct cover around the mounting plate. Lift up the duct cover or use shims underneath to lift the duct up 1/4" to align the holes.
- Use the included (4) shallow T20 Torx screws to attach the duct cover to the mounting plate in all four corners.
- Do not over tighten the screws.



Caring for your Duct Cover

Care and cleaning

Brass

Do not use abrasive products such as Scotch Brite or steel wool pads; they will scratch the surface. The brushed brass duct cover has a maintenance free finish. Wash with warm sudsy water. Wipe the surface dry in the direction of the grain with a microfiber cloth.

Stainless steel

Wash with warm sudsy water or a stainless steel cleaner or polish. Wipe the surface dry in the direction of the grain with a microfiber cloth.

Titanium

Do not use abrasive products such as Scotch Brite or steel wool pads; they will scratch the surface. Wash with warm sudsy water. Wipe the surface dry in the direction of the grain with a microfiber cloth.

Limited Warranty Information

For the period of 1 year from the date of the original purchase: If the duct cover fails due to a defect in materials or workmanship, during the limited one-year warranty, FirstBuild will either repair your product, replace your product with a new or remanufactured product, or refund the purchase price of the product at FirstBuild's sole discretion.

What FirstBuild Will Not Cover:

- Service trips to your home.
- Improper installation, delivery or maintenance.
- Failure of the product if it is abused, misused, or used for other than the intended purpose or used commercially.
- Damage caused after delivery.
- Damage to the product caused by accident, fire, floods or acts of God.
- Incidental or consequential damage caused by possible defects with this appliance.
- Labor and other charges to install and/or remove the product.

EXCLUSION OF IMPLIED WARRANTIES

Your sole and exclusive remedies are product exchange or refund as provided in this Limited Warranty. Any implied warranties, including the implied warranties of merchantability or fitness for a particular purpose, are limited to one year or the shortest period allowed by law.

This limited warranty is extended to the original purchaser for products purchased for home use within the USA. In Alaska and Hawaii, the limited warranty does not include the costs of shipping units. Some states do not allow the exclusion or limitation of incidental or consequential damages. This limited warranty gives you specific legal rights, and you may also have other rights which vary from state to state. To know what your legal rights are, consult your local or state consumer affairs office or your state's Attorney General.

Warrantor: FirstBuild, Louisville, KY 40208

Consumer Support

Proof of the original purchase date is needed to obtain service under the warranty.

For service questions or warranty claims, contact us at help@FirstBuild.com